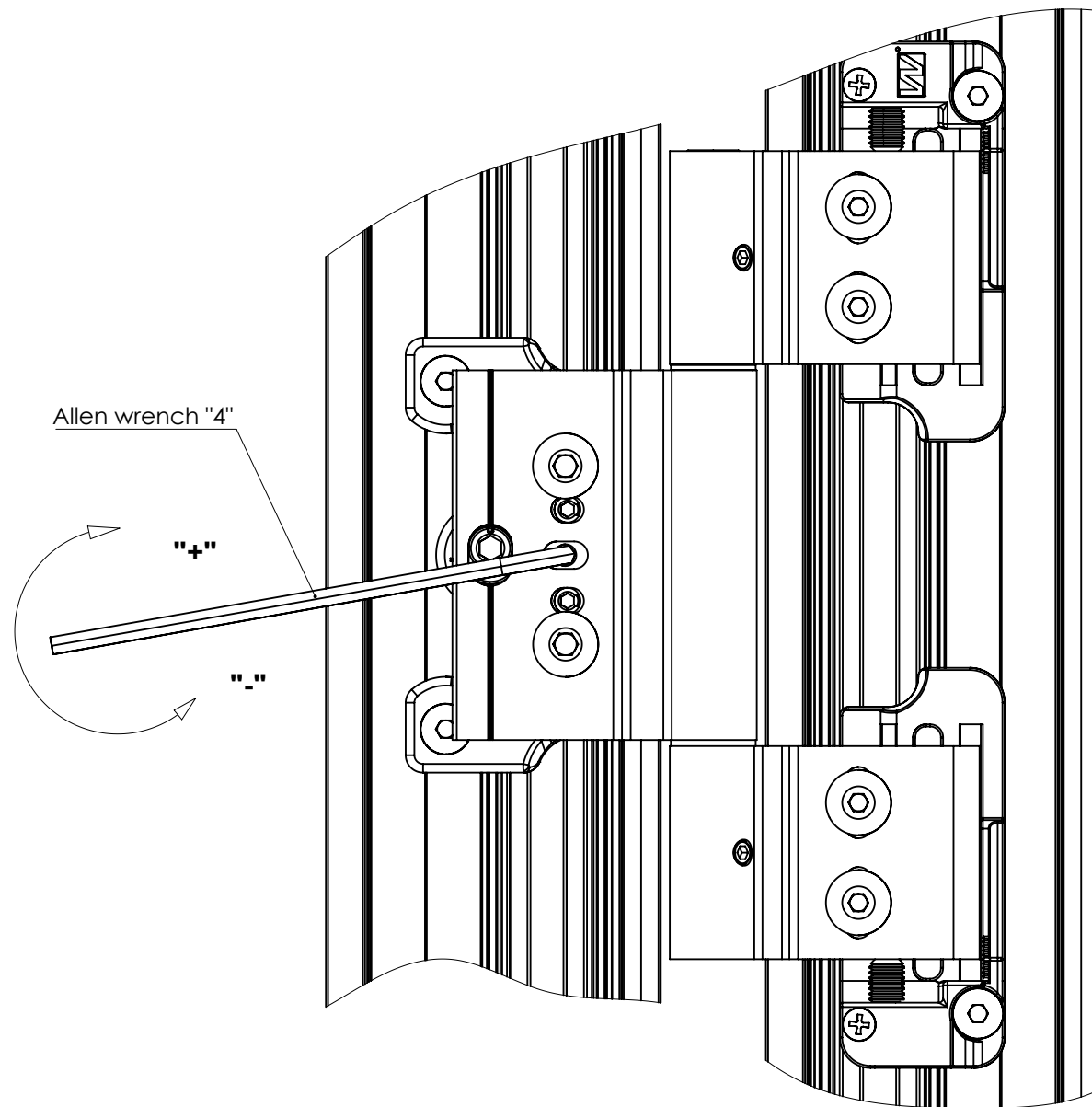
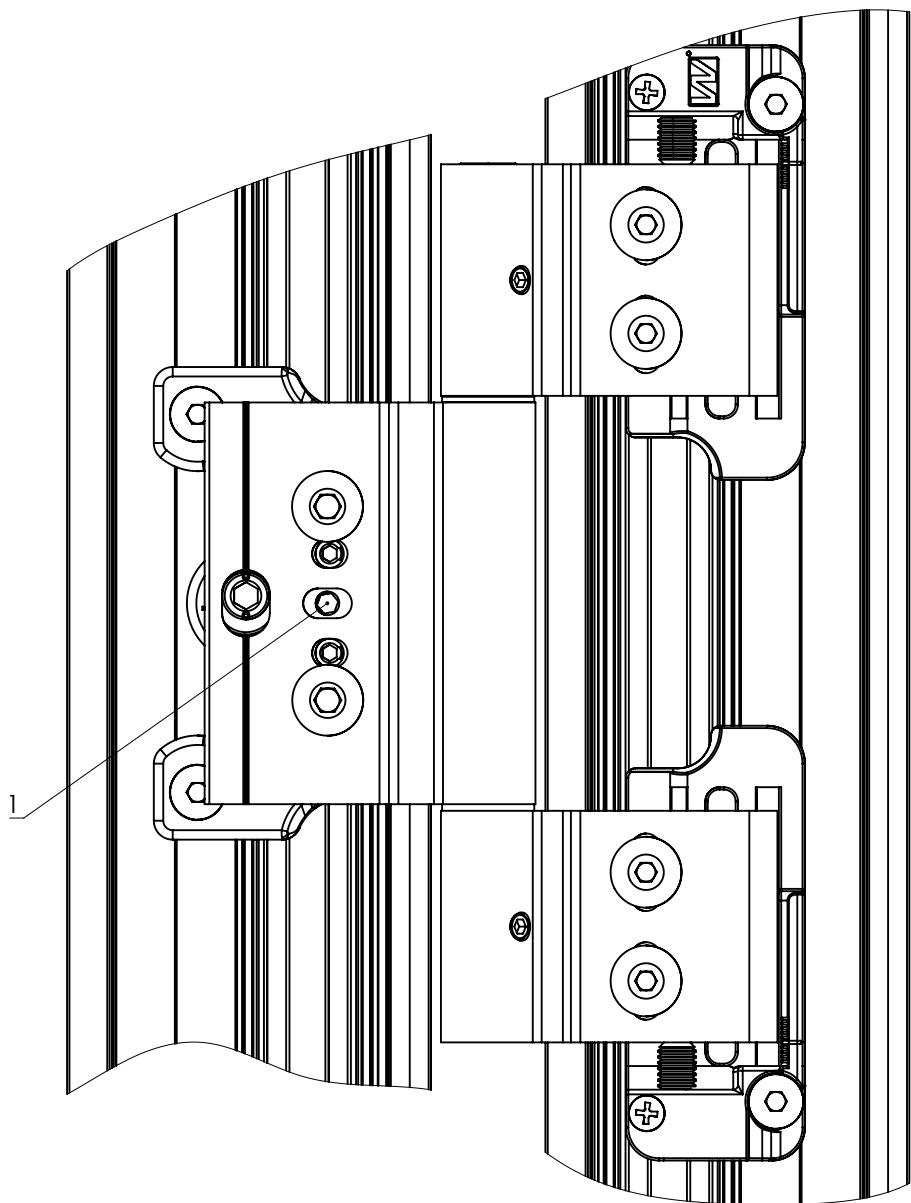


HEIGHT ADJUSTMENT: (regulation range: $\pm 5\text{mm}$)

1. Ease up on screws **1** for **every hinge** in door.
2. Unscrew the upper screw **2** for **every hinge** in door.
3. In case of very heavy door, we advise temporarily lighten door with for instance wedges.
4. Use allen wrench **3** to regulate with screw **4**. (one turn 360 degrees will change height by **1,25mm**)
It should be done for **every hinge** possibly **equal**.
5. After adjustment, screw tight screws **1** in all hinges.

ROLLER HINGE WR **HEIGHT REGULATION**

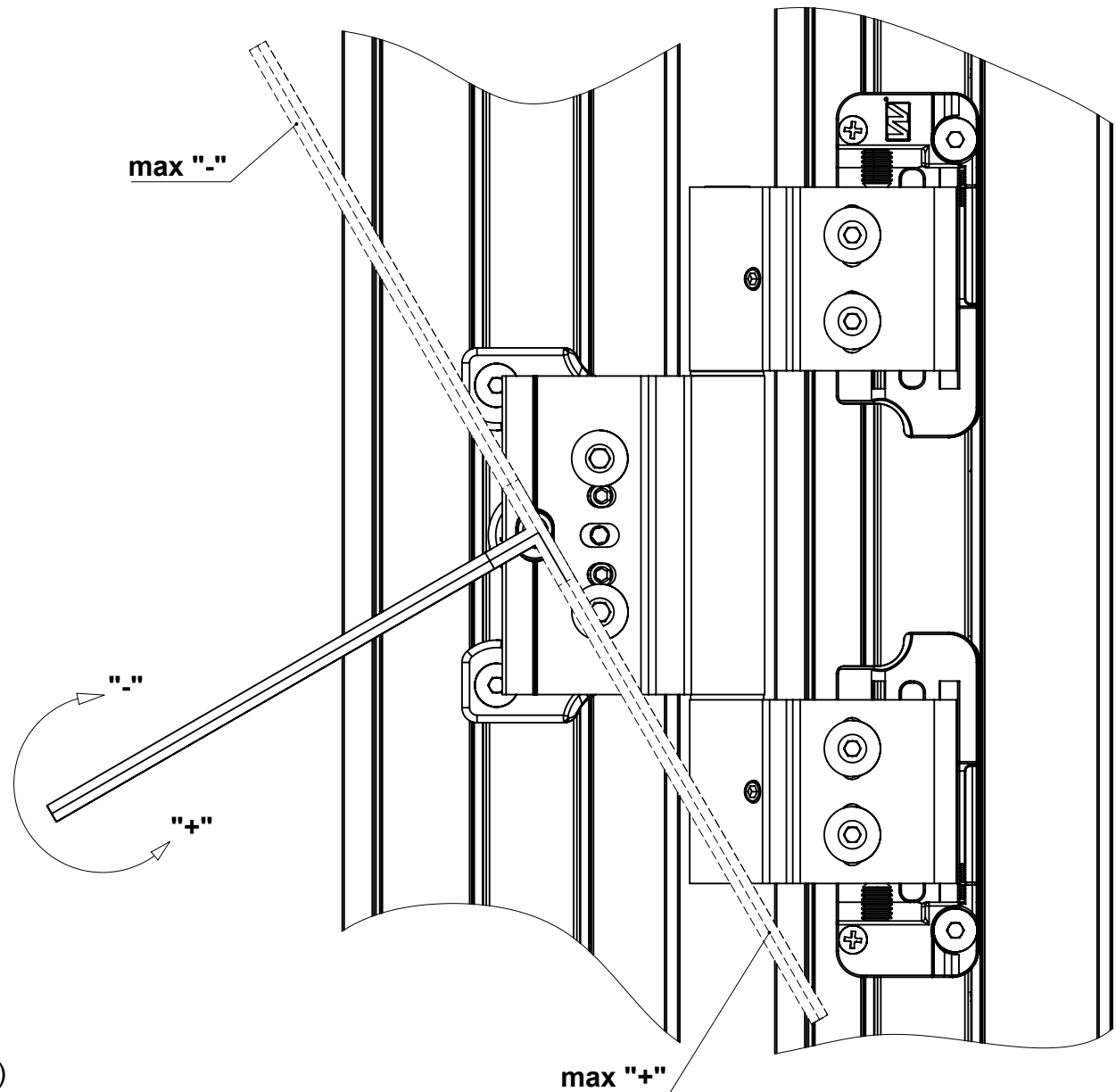
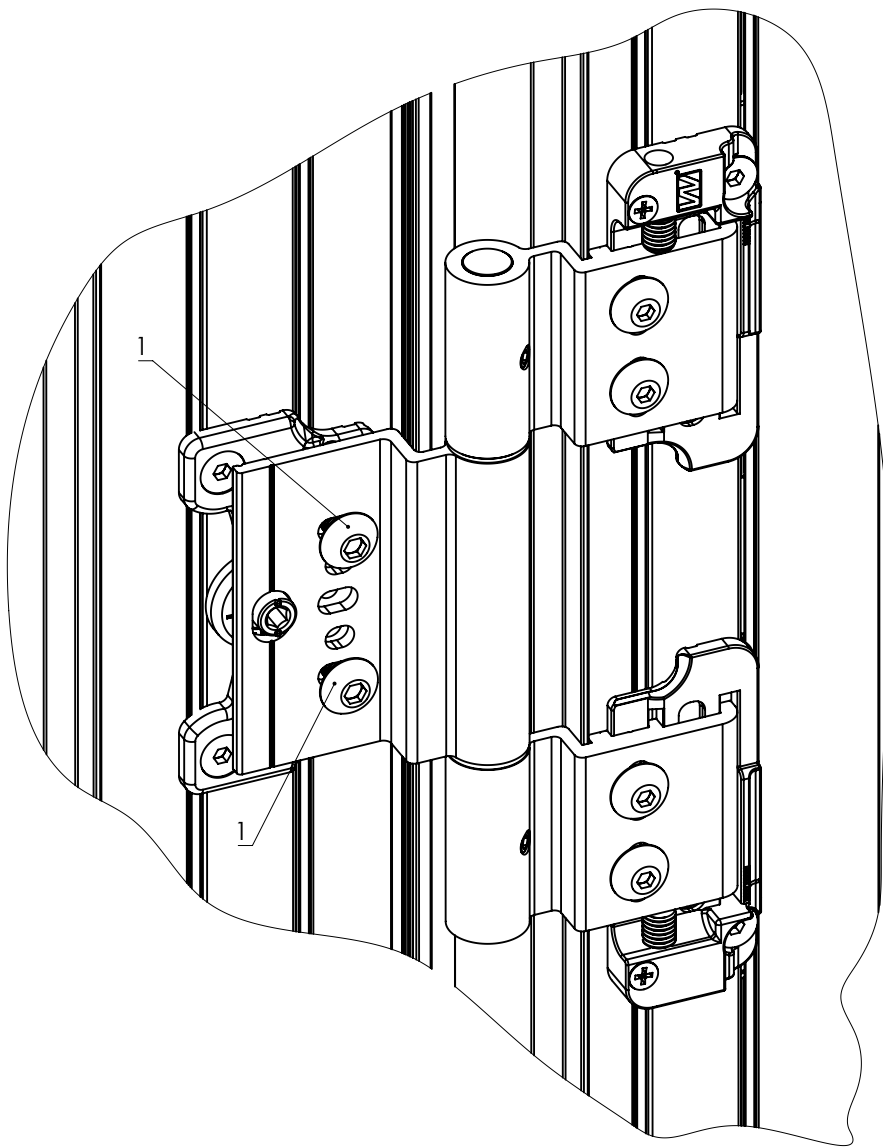


LEFT / RIGHT ADJUSTMENT: (regulation range: $\pm 2,5\text{mm}^*$)

1. Use allen wrench to regulate with screw 1. (one turn 360 degrees will change distance by 1,25mm)

* - for systems with 6mm distance between profiles, for 5mm aluminium systems by virtue of thicknesses of the wing the possible value of the regulation is -1,5mm, +2,5mm

ROLLER HINGE WR
LEFT / RIGHT REGULATION



FRONT / BACK ADJUSTMENT: (regulation range up to $\pm 1,5\text{mm}^*$)

1. Door before the regulation should lightened.
2. Ease up on screws **1**.
3. Make adjustment by allen wrench "5" with the eccentric. Maximum value can be achieved by 90° turn.
4. After adjustment, screw tight screws **1**.

* - the real range could be smaller depending on distance near gasket in the aluminium systems

ROLLER HINGE WR
FRONT / BACK REGULATION